

Description

The PZ-5 is a medium-sized concrete spraying machine for the processing of dry mix.

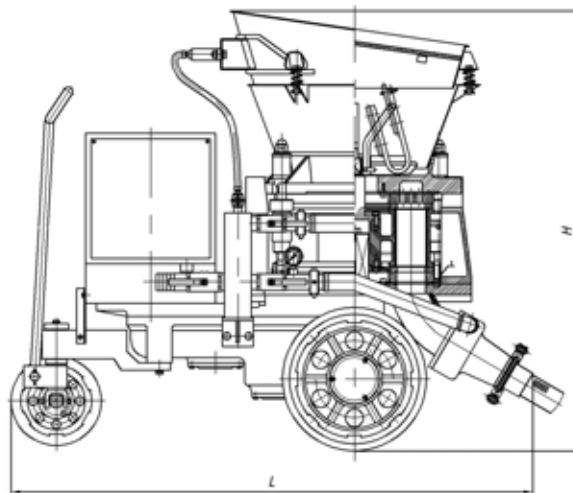
The machine can be used thanks to its compact design and mobility where space is at a premium e.g. in mines and galleries.

Other potential applications are slope and hillside protection, lining of water tanks and swimming pools, guniting for single and double shell tunnel construction, backfilling of tubing.

The PZ-5 is available in the following versions.

- BASIC Electric drive
- AIR With air drive
- DIESEL Diesel drive

Dimensions



- Length : 1350mm(2000mm,diesel)
- Height : 1200 mm
- Width : 750 mm
- Weight : 720 kg(730kg,diesel)
- Content of hopper : 50 Liters

Drive

Electric (BASIC)		With air motor (AIR)	
Motor output	: 5.5 KW/7.5hp IP55	Motor output	: 5.9 KW/8hp
Speed range	: 1000 rpm	Speed range	: 450-900 rpm
Voltages	: 380 V 50 Hz	Pressure	: 0.5 Mpa/73psi
	440 V50/60 Hz	Air consumption	: 7.5 m ³ /min
	220V50/60Hz		

The information contained in this document is believed to correct but RISEN accepts no liability for any errors it contains, and reserves the right to alter specifications without notice. Please consult the respective machine manual for all matters related to operations and maintenance.

Diesel

Motor output : 7.7hp/9hp
 Speed range : 3000rpm/3600rpm

For more information, please refer to **diesel engine technical data sheet**

Theoretical conveying date (only dry)

Hose Φ (mm)	Conveying output ¹⁾ (m ³ /h)		max. grain (mm)	max. conv. dist. (m) Horizontal / Vertical
	BASIC	AIR/DIESEL		
50	5	2.5~5	15	200 / 70

1) With theoretical filling degree of 100%. If motor with 60 Hz =20% higher conveying capacity

Theoretical data for air consumption for conveying

Air consumption (m ³ /min.) ²⁾	
Dry spraying	
60 m	120 m
7	8

2) Air consumption data are approximate values and are depending on conveying distance.

CAUTION: For the configuration AIR (with air motor) it has to be considered:

Total air consumption =
 Air consumption for conveying + Air consumption for air motor!

PZ-5 with BASIC



The information contained in this document is believed to correct but RISEN accepts no liability for any errors it contains, and reserves the right to alter specifications without notice. Please consult the respective machine manual for all matters related to operations and maintenance.